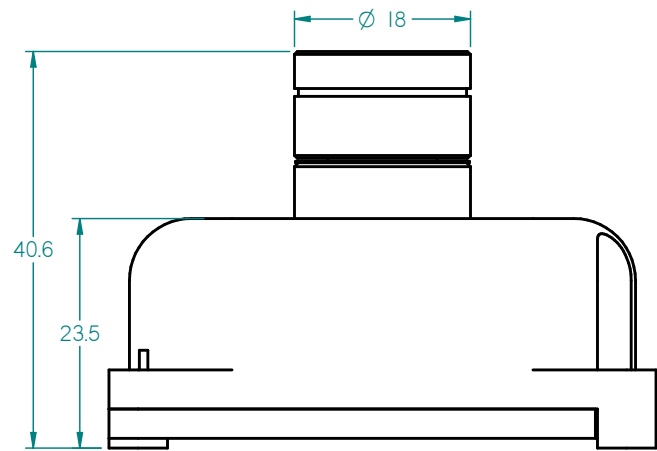
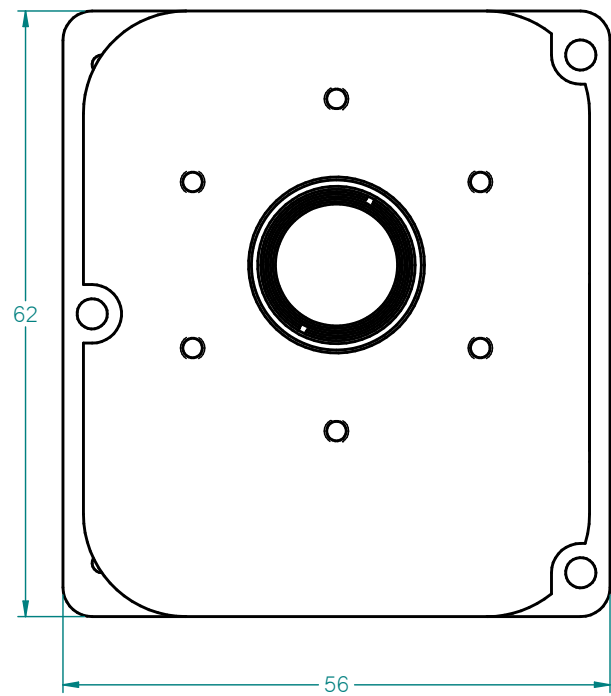


STAR TRACKER

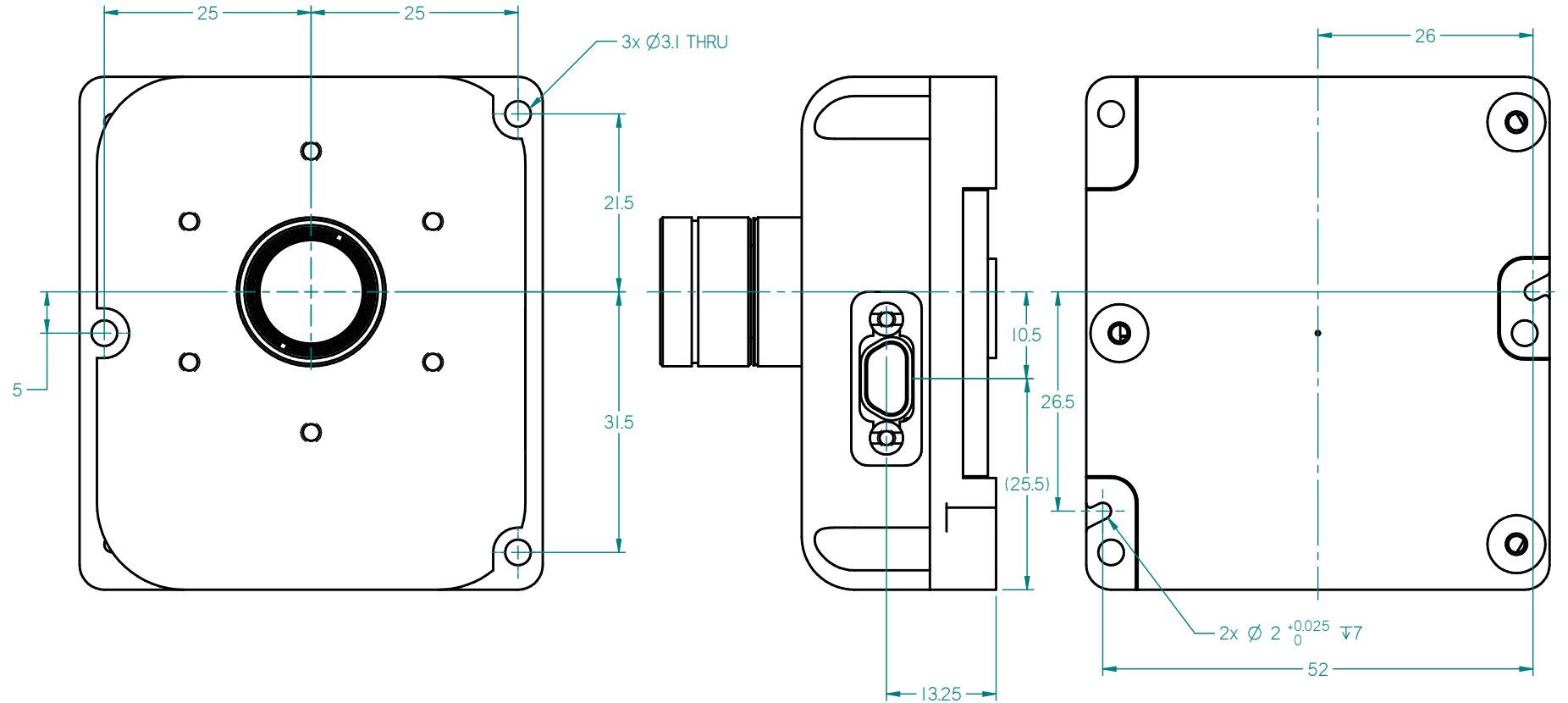
ST-16HV

Mechanical Interface Control Document

Volume Envelope

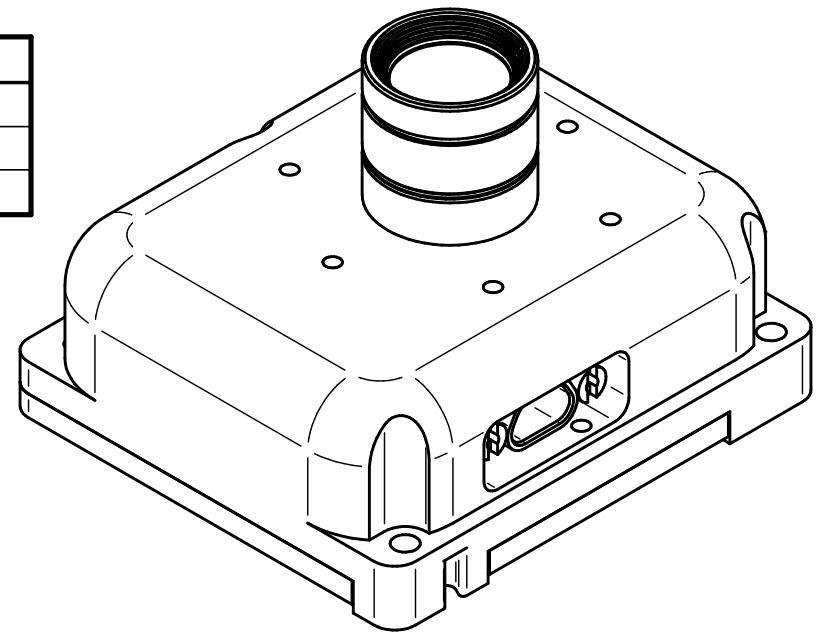


Mechanical Interface

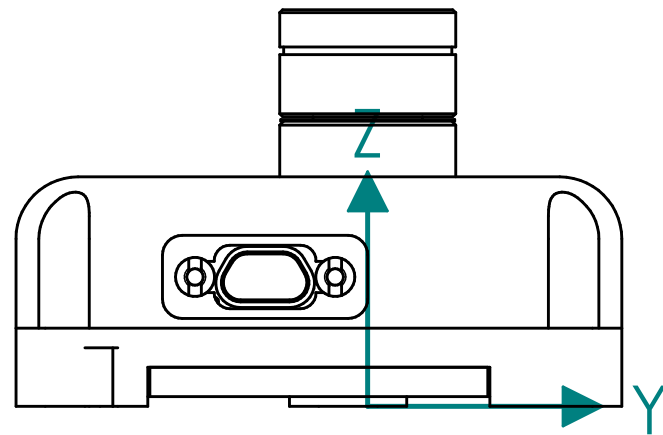
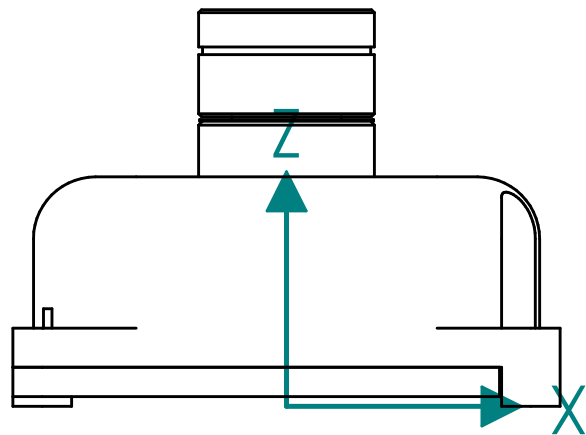


Assembly Moment of Inertia	
Ixx	77795.898438 g.mm ²
Iyy	62102.253906 g.mm ²
Izz	85328.593750 g.mm ²
Ixy	405.580841 g.mm ²
Ixz	-162.625793 g.mm ²
Iyz	-8705.194336 g.mm ²

Assembly Centre of Mass	
X	-0.046 mm
Y	-4.866 mm
Z	13.627 mm

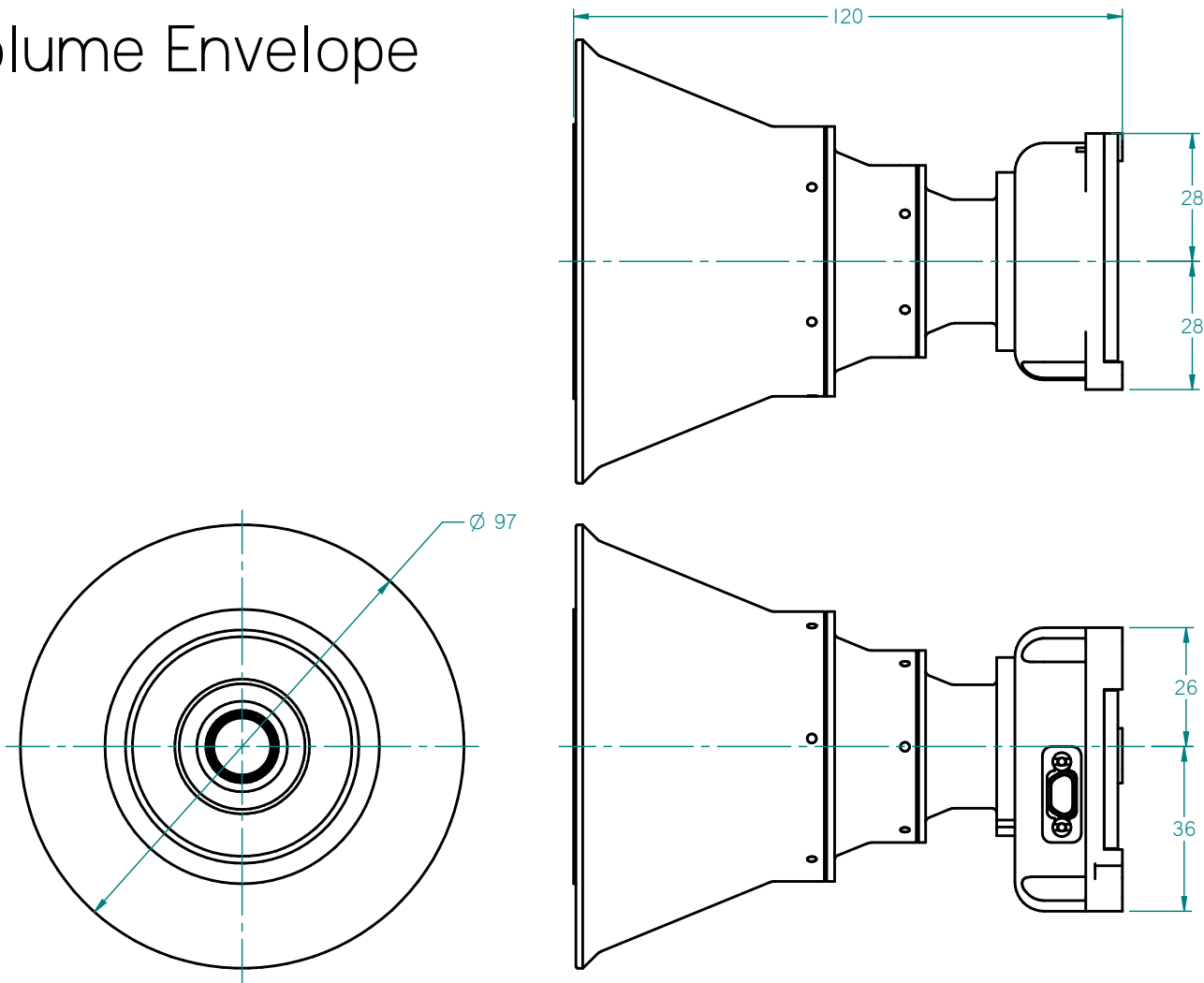


Reference Frame

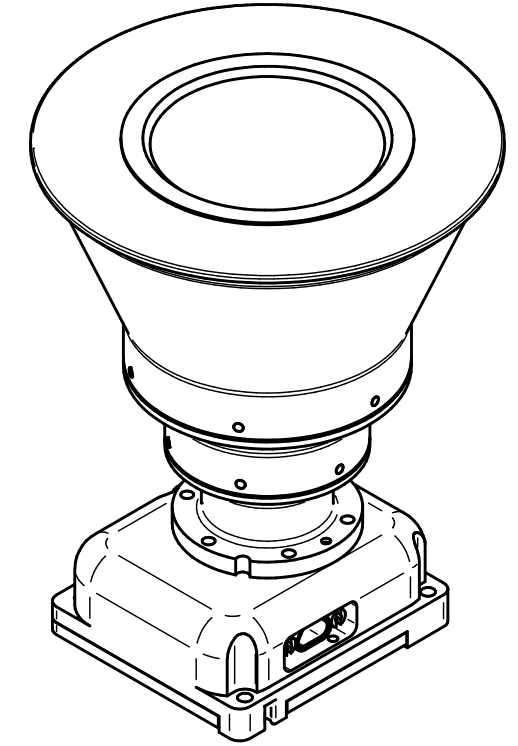


UNLESS OTHERWISE SPECIFIED DIMENSIONS ARE IN MILLIMETERS TOLERANCES: LINEAR: ±0.1 ANGLE: ±0.5°		NAME	DATE	 20 Maud St. Suite 200, Toronto, ON M5V 2M5 Info@sinclairinterplanetary.com	
DRAWN	phundal	06/22/22			
APPROVED					
THIRD ANGLE PROJECTION		PRODUCT	ST-I6HV	TITLE	MICD
MATERIAL:		SIZE	DWG NO	REV	
		C	ST-I6HV	I.0	
SURFACE TREATMENT:		SCALE	MASS	SHEET	
		2:1	148.3 g	1 OF 1	

Volume Envelope



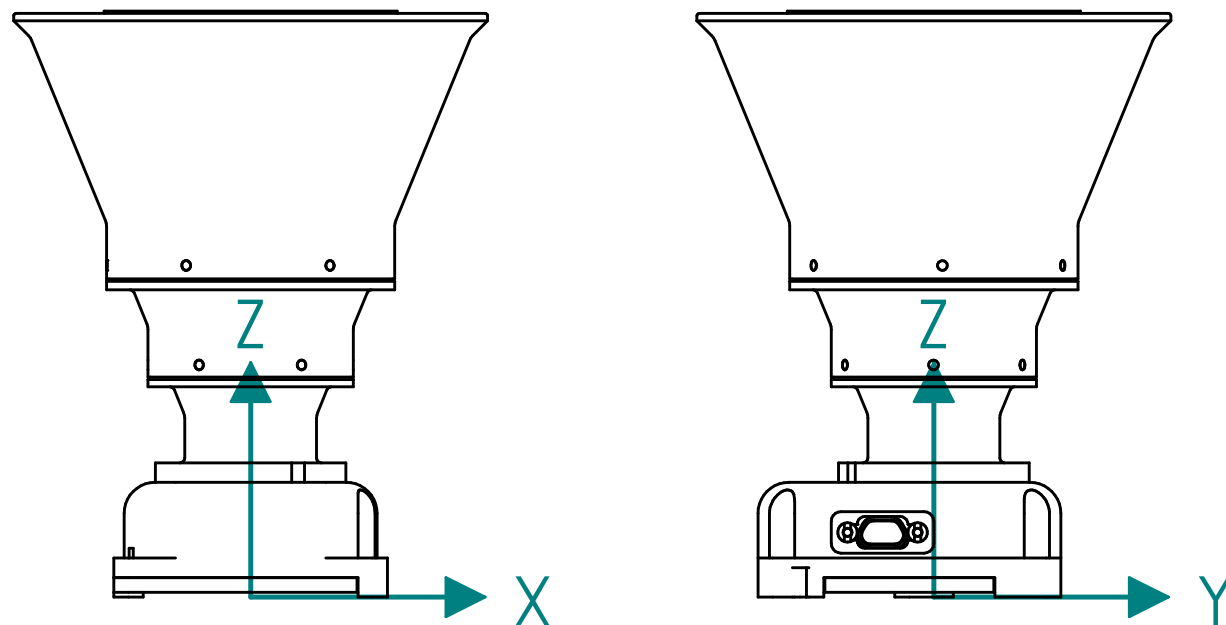
REVISION HISTORY			
REV	DESCRIPTION	DATE	APPROVED



Notes:

- I. See ST-I6HV MICD FOR DETAIL ON MOUNTING INTERFACES

Reference Frame



Assembly Moment of Inertia	
lxx	904031.812500 g.mm ²
lyy	888304.187500 g.mm ²
lzz	190852.593750 g.mm ²
lxy	413.564117 g.mm ²
lxz	-161.462952 g.mm ²
lyz	-8695.428711 g.mm ²

Assembly Centre of Mass	
X	-0.027 mm
Y	-2.741 mm
Z	40.925 mm

UNLESS OTHERWISE SPECIFIED DIMENSIONS ARE IN MILLIMETERS TOLERANCES: LINEAR: ±0.1 ANGLE: ±0.5°	NAME	DATE	20 Maud St. Suite 200, Toronto, ON M5V 2M5 Info@sinclairinterplanetary.com
	DRAWN	bnab	
THIRD ANGLE PROJECTION	APPROVED	PRODUCT	TITLE
		ST-I6HV	MICD
MATERIAL:	SCALE	MASS	REV
	1:1	263.1 g	I.0
SURFACE TREATMENT:	SHEET	I OF I	